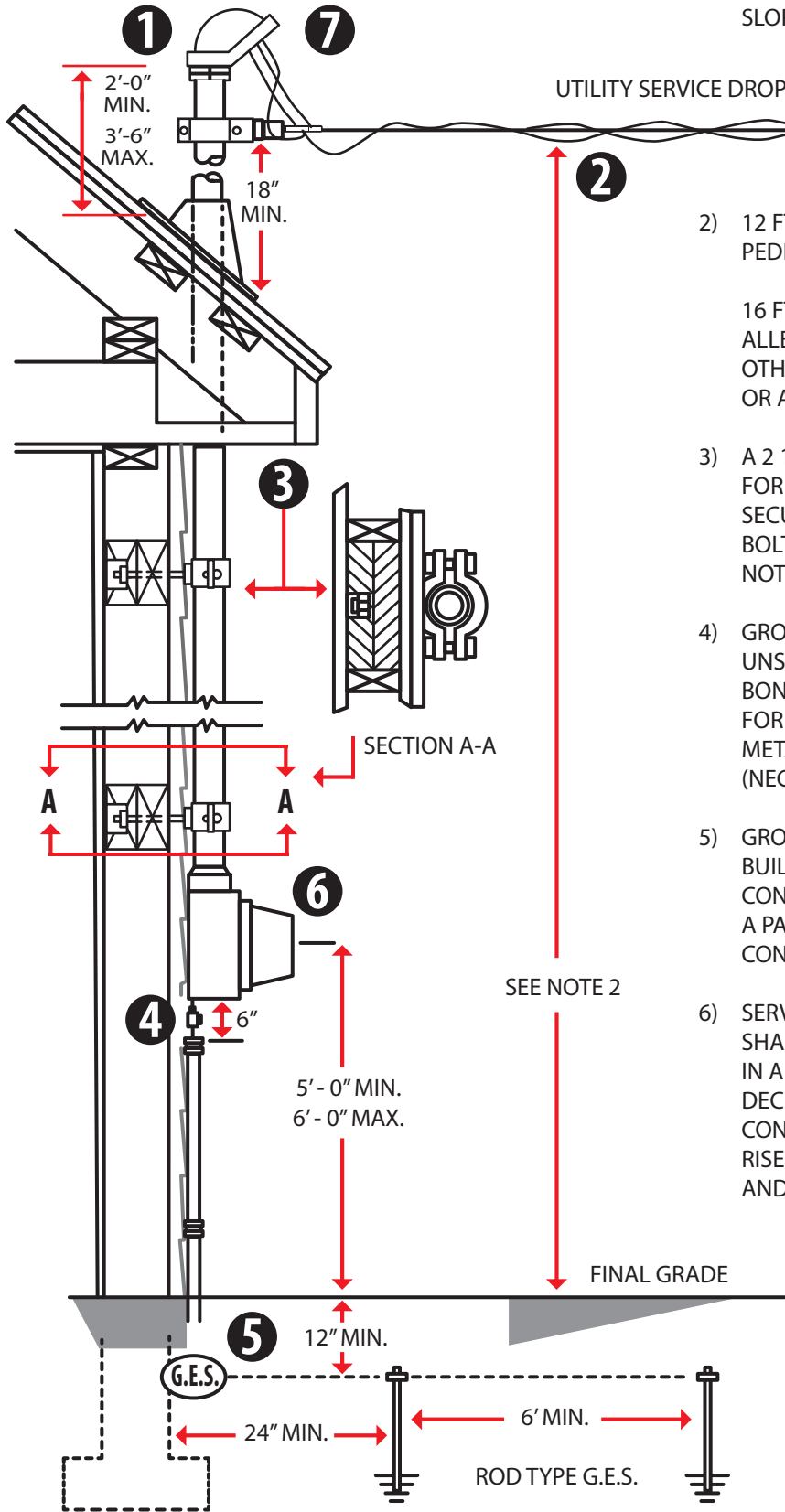


Service Above Roof



- 1) A SERVICE MAST IS REQUIRED WHEN IT IS NOT POSSIBLE TO MAINTAIN 12-FT. CLEARANCE FROM FINISHED GRADE TO ATTACHMENT POINT. VERTICAL CLEARANCE OF CONDUCTOR TO ROOF SURFACE DEPENDS ON THE SLOPE OF THE ROOF. (SEE NEC 230 -24 (A))
- 2) 12 FT. MIN. FOR SPACES AND WAYS SUBJECT TO PEDESTRIAN OR RESTRICTED TRAFFIC

16 FT. MINIMUM ABOVE DRIVEWAYS, PARKING LOTS, ALLEYS, CULTIVATED OR GRAZING AREAS, LAWNS, OR OTHER LAND THAT COULD BE TRAVERSED BY VEHICLES OR ANIMALS WITH RIDERS
- 3) A 2 1/2 INCH OR LARGER (CONTACT INTER-COUNTY ENERGY FOR MIN. SIZE REQUIRED) RIGID STEEL CONDUIT TO BE SECURED WITH TWO OR MORE, THROUGH-THE-WALL BOLTS AND APPROVED MAST CLAMPS (BOLTS SHALL NOT BE LOCATED INSIDE PANELBOARD)
- 4) GROUNDING ELECTRODE CONDUCTORS SHALL BE UNSPLICED AND HAVE 6" EXPOSED FOR THE INTERSYSTEM BONDING TERMINAL (4 POSITION BLOCK TERMINAL MIN. FOR OTHER SYSTEMS) ELECTRICAL NON-METALLIC OR METALLIC CONDUIT SHALL BE USED FOR PROTECTION (NEC 250.64E)
- 5) GROUNDING ELECTRODE SYSTEM (G.E.S.) ALL NEW BUILDING FOUNDATIONS CONTAINING QUALIFIED CONCRETE-ENCASED REINFORCING RODS, MUST BECOME A PART OF THE G.E.S. ALL OTHER INSTALLATIONS MUST CONSIDER PIPE, ROD OR PLATE TYPE G.E.S.
- 6) SERVICE DROP CONDUCTORS, INCLUDING DRIP LOOPS SHALL HAVE A CLEARANCE OF NOT LESS THAN 3 FT. IN ANY DIRECTION FROM WINDOWS, DOORS, PORCHES, DECKS, FIRE ESCAPES OR SIMILAIR LOCATIONS. CONTACT INTER COUNTY ENERGY FOR METERBASE AND RISER/WEATHERHEAD LOCATION, BY-PASS REQUIREMENTS, AND POINT OF ATTACHMENT.
- 7) LEAVE MIN. 18 INCHES OF WIRE EXTENDED OUT OF WEATHERHEAD FOR DRIPLOOP.