

Quick Reference for your Honeywell touchscreen programmable thermostat

This thermostat is ready to go!

Your new thermostat is pre-programmed and ready to go. Just set the time and day. Then check the settings below and change if needed:

Clock setting

To set the current time display, press **CLOCK**, then press **▲** or **▼** to adjust the time. Press and hold **▲** or **▼** to advance the time more quickly. Press **DONE** to save & exit (or press **CANCEL** to exit without changing the time).

Note: The real-time clock should never require adjustment since it automatically updates for daylight savings time, and stores all date/time information.

System setting

Press the **SYSTEM** button to select, then press **DONE**.

- Heat: Thermostat controls only the heating system.
- Cool: Thermostat controls only the cooling system.
- Off: Heating and cooling systems are off.
- Auto: Thermostat automatically selects heating or cooling depending on the indoor temperature.**
- Em Heat (only for heat pumps with auxiliary heat): Thermostat controls Emergency and Auxiliary Heat. Compressor is locked out.**

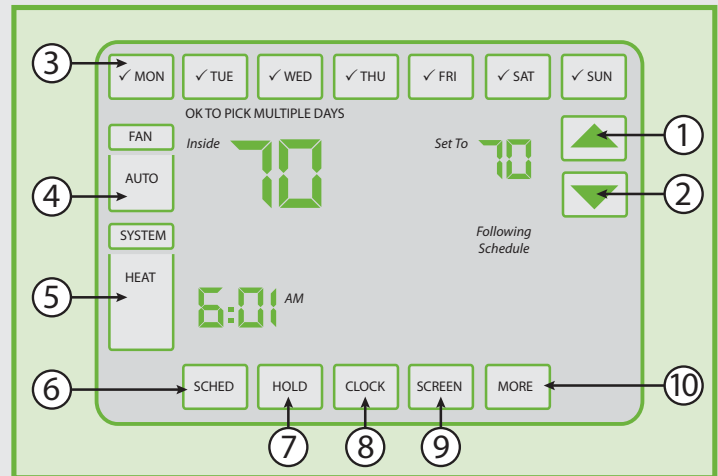
** Select models only

Fan setting

Press **FAN** to select fan operation, then press **DONE**.

- On: Fan is always on.
- Auto: Fan runs only when the heating or cooling system is on.
- Circ: Fan runs randomly, about 35% of the time, not counting any run time with the heating or cooling system.

You can press **FAN** to override the fan settings you've programmed for different time periods. If you select **On** or **Circ**, the setting you select will remain active until you press **FAN** again to select **Auto**.



- 1 Temperature warmer
- 2 Temperature cooler
- 3 Press day(s) to set program schedule
- 4 Press to select fan operation
- 5 Press to select system type
- 6 Press to select program schedule
- 7 Press to override program schedule
- 8 Press to set clock
- 9 Press to lock keypad for 30 secs to clean screen
- 10 Press for more options (select models only)

Battery replacement

Batteries are optional (to provide backup power) if your thermostat was wired to run on AC power when installed.

Install fresh batteries immediately when the LO BATT warning begins flashing. The warning flashes about 30 days before batteries are depleted. Even if the warning does not appear, you should replace batteries once a year, or before leaving home for more than a month.

Quick Reference for your Honeywell touchscreen programmable thermostat

To adjust program schedules

1. Press SCHED, then EDIT.
2. Press day buttons (MON-SUN) to select day(s).
3. Press ▲ or ▼ to set Wake time for selected day(s).
4. Press ▲ or ▼ to set Heat and Cool temperature for this time period.
5. Press other time periods (LEAVE, RETURN, SLEEP) to set time and temperatures for each.
6. Press DONE to save & exit (or press CANCEL to exit without saving changes).

Program schedule override (temporary)

Press ▲ or ▼ to immediately adjust the temperature. This will temporarily override the temperature setting for the current time period.

The new temperature will be maintained only until the time you set. When the timer expires, the program schedule will resume and set the temperature to the level you've programmed for the current time period.

To cancel the temporary setting at any time, press CANCEL (or SCHED). The program schedule will resume.

Program schedule override (permanent)

Press HOLD to permanently adjust the temperature. This will turn off the program schedule. Whatever temperature you set will be maintained 24 hours a day until you manually change it or press CANCEL (or SCHED) to cancel "Hold" and resume the program schedule.

Who Do I Call For Help?

You can call toll free at **1-800-468-1502**.

EnergyStar® settings for maximum cost savings

	Heat (Mon-Fri)	Cool (Mon-Fri)	Heat (Sat-Sun)	Cool (Sat-Sun)
Wake (6:00 a.m.)	70°	78°	70°	78°
LEAVE (8:00 a.m.)	62°	85°	62° <small>or cancel period</small>	85° <small>or cancel period</small>
RETURN (6:00 p.m.)	70°	78°	70° <small>or cancel period</small>	78° <small>or cancel period</small>
SLEEP (10:00 p.m.)	62°	82°	62°	82°

This thermostat is pre-set to use EnergyStar® program settings. We recommend these settings, since they can reduce your heating/cooling expenses by as much as 33%.

Customer requested settings

	Heat (Mon-Fri)	Cool (Mon-Fri)	Heat (Sat-Sun)	Cool (Sat-Sun)
Wake (6:00 a.m.)				
LEAVE (8:00 a.m.)				
RETURN (6:00 p.m.)				
SLEEP (10:00 p.m.)				